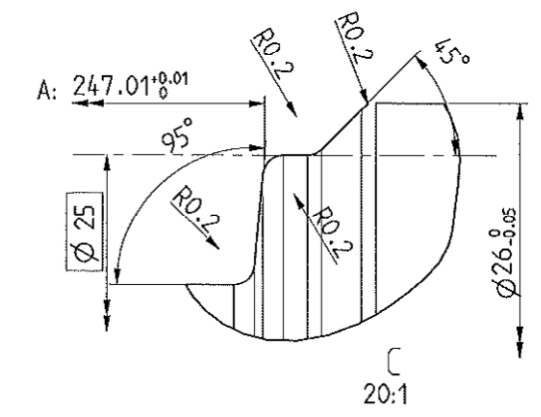
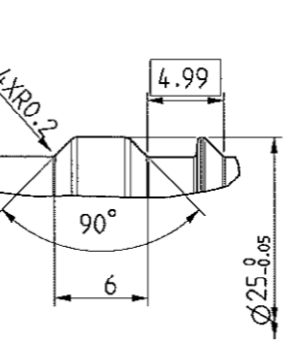
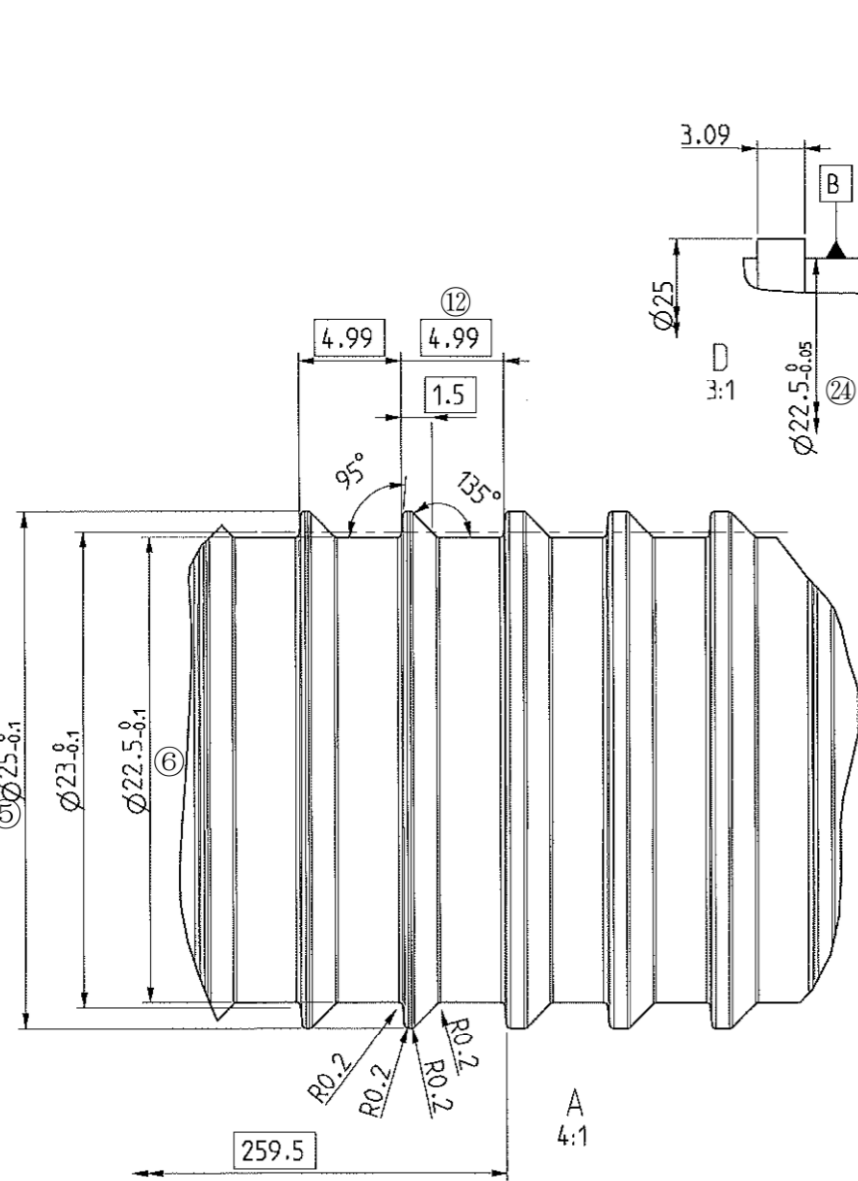
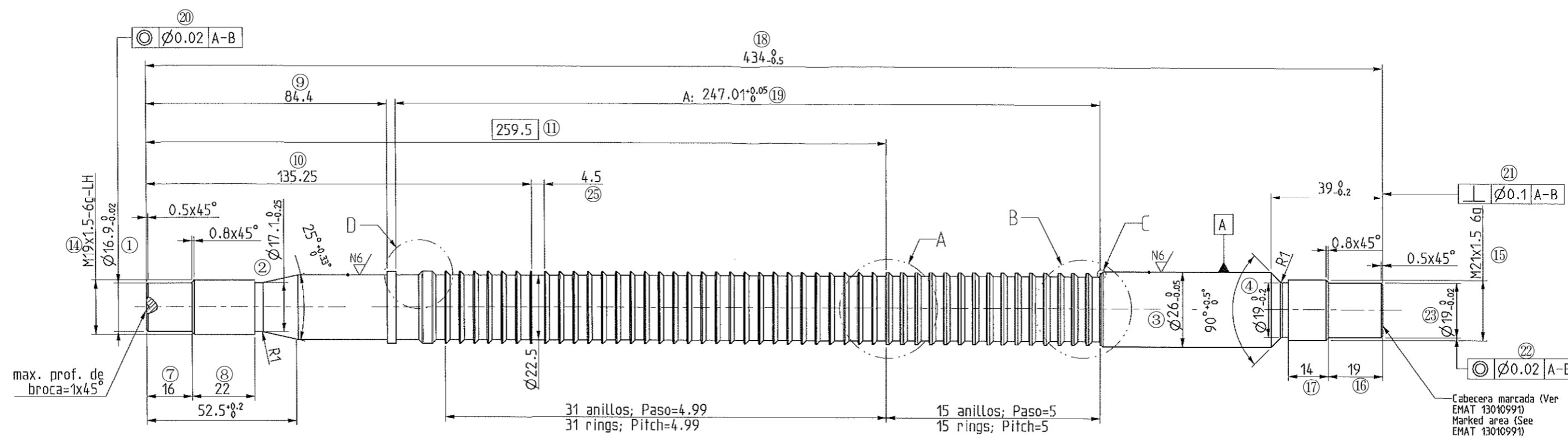


Todas las dimensiones que se refieren son de pieza acabada incluyendo tratamientos y acabados superficiales



NOTAS:
 1.-Material: Barra de wolframio sinterizado.
 2.-Las marcas de identificación en la barra en estado de suministro, se correspondera con el extremo de Ojiva del Nucleo mecanizado. (La marca de la cabecera se tiene que mantener visible en todo el proceso.)
 3.- Masa 3176 g ± 20g

NOTES: Material: Synthesized wolfram stick.
 1.-The material will respond to esp.EMAT-13010991.
 2.-The identification marks on the bar in the state of supply, will correspond to the end of the machined core. (The marking of the head must be kept visible during the whole process).
 3.- Mass 3176 g ± 20g

XIAMEN GOLDEN EGRET SPECIAL ALLOY CO.,LTD
69#,XING LONG RD,HULI, XIAMEN, FUJIAN, P.R.CHINA
Tel:+0086-592-6022393 6022395 Fax:6022396

Measurement report

PO NO.:				Supplier: XIAMEN GOLDEN EGRET SPECIAL ALLOY CO., LTD.											
Part Name.:				Lot No: 001											
Drawing/version:				Quantity: 100EA											
Spec				Test										Measurement Tools	Opinion
Drawing dimension		L	U	1#	2#	3#	6#	9#	10#	11#	12#	13#	14#		
1	16.9	16.88	16.9	16.894	16.895	16.896	16.890	16.881	16.890	16.896	16.896	16.894	16.895	Digital Micrometer	Pass
2	17.1	16.85	17.1	16.990	17.020	16.980	17.000	16.980	16.990	17.000	17.000	16.990	17.000	Digital caliper	Pass
3	26	25.95	26	25.979	25.989	25.988	25.990	25.992	25.992	25.988	25.988	25.992	25.992	Digital Micrometer	Pass
4	19	18.8	19	18.95	18.99	18.94	18.95	18.94	18.94	18.95	18.94	18.95	18.95	Digital caliper	Pass
5	25	24.9	25	24.96	24.96	24.97	24.94	24.95	24.96	24.97	24.97	24.96	24.97	TOOL MICROSCOPE	Pass
6	22.5	22.4	22.5	22.47	22.47	22.46	22.46	22.47	22.46	22.47	22.47	22.46	22.47	TOOL MICROSCOPE	Pass
7	16	15.8	16.2	15.95	15.90	15.92	15.91	15.94	15.92	15.90	15.89	15.85	15.96	TOOL MICROSCOPE	Pass
8	22	21.8	22.2	22.10	22.13	22.08	22.17	22.15	22.02	22.14	22.15	22.01	21.99	TOOL MICROSCOPE	Pass
9	84.4	84.1	84.7	84.35	84.32	84.33	84.35	84.35	84.35	84.35	84.33	84.27	84.38	TOOL MICROSCOPE	Pass
10	135.25	134.75	135.75	135.280	135.230	135.230	135.220	135.220	135.240	135.230	135.210	135.160	135.260	TOOL MICROSCOPE	Pass
11	259.5	259	260	259.5	259.5	259.5	259.5	259.5	259.5	259.5	259.5	259.4	259.5	TOOL MICROSCOPE	Pass
12	4.99	4.79	5.19	4.980	4.990	5.010	4.990	5.000	4.990	5.000	5.000	4.980	4.990	TOOL MICROSCOPE	Pass
13	5	4.8	5.2	4.99	5.00	5.00	5.00	4.99	5.01	4.99	5.00	5.00	5.00	TOOL MICROSCOPE	Pass
14	M19X1.5-6G-LH			OK	OK	OK	OK	OK	OK	OK	OK	OK	OK	Thread gauge	Pass
15	M21X1.5-6g			OK	OK	OK	OK	OK	OK	OK	OK	OK	OK	Thread gauge	Pass
16	19	18.8	19.2	18.90	18.87	18.90	18.88	18.86	18.87	18.85	18.88	18.92	18.86	TOOL MICROSCOPE	Pass
17	14	13.8	14.2	14.10	14.14	14.12	14.12	13.95	14.03	14.12	14.05	14.08	14.04	TOOL MICROSCOPE	Pass
18	434	433.5	434	433.99	434.00	433.93	434.00	433.98	433.98	433.99	433.99	433.94	434.00	Digital Height caliper	Pass
19	247.01	247.01	247.06	247.060	247.059	247.057	247.058	247.034	247.045	247.057	247.056	247.048	247.051	TOOL MICROSCOPE	Pass
20	0.02	0	0.02	0.015	0.013	0.012	0.019	0.014	0.011	0.016	0.014	0.011	0.003	CMM	Pass
21	0.1	0	0.1	0.01	0.01	0.00	0.00	0.00	0.00	0.00	0.01	0.00	0.01	CMM	Pass
22	0.02	0	0.02	0.019	0.009	0.019	0.013	0.005	0.004	0.007	0.010	0.012	0.007	CMM	Pass
23	19	18.98	19	18.989	18.994	18.993	18.991	18.994	18.993	18.993	18.989	18.990	18.995	Digital Micrometer	Pass

XIAMEN GOLDEN EGRET SPECIAL ALLOY CO.,LTD
69#,XING LONG RD,HULI, XIAMEN, FUJIAN, P.R.CHINA
Tel:+0086-592-6022393 6022395 Fax:6022396

Measurement report

PO NO.:				Supplier: XIAMEN GOLDEN EGRET SPECIAL ALLOY CO.,LTD.											
Part Name.:				Lot No: 001											
Drawing/version:				Quantity: 100EA											
Spec				Test										Measurement Tools	Opinion
Drawing dimension		L	U	1#	2#	3#	6#	9#	10#	11#	12#	13#	14#		
24	22.5	22.45	22.5	22.490	22.495	22.452	22.481	22.474	22.483	22.488	22.498	22.493	22.497	Digital Micrometer	Pass
25	4.5	4.4	4.6	4.46	4.49	4.47	4.50	4.47	4.46	4.50	4.49	4.47	4.48	TOOL MICROSCOPE	Pass
26	3157	3067	3247	3089.0	3086.0	3086.0	3085.0	3085.0	3085.0	3084.0	3087.0	3086.0	3089.0	Electr0nic scales	Pass
				OK	OK	OK	OK	OK	OK	OK	OK	OK	OK	GE02425	PASS

Signature: _____ 2023/8/11

QUALITY CONTROL DEPARTMENT OF GESAC



厦门金鹭特种合金有限公司

XIAMEN GOLDEN EGRET SPECIAL ALLOY CO., LTD.

69#, XING LONG RD, HULI, XIAMEN, FUJIAN, P. R. CHINA

Tel: +86-592-60223936022395 Fax: 6022396

CERTIFICATE OF MATERIAL ANALYSIS

Carbide blank

Material Spec		Gesac Grade	Lot No.		Quantity(Pcs)				
-		GH231	001		100				
Chemical Composition					Physical Characteristics				
SN	Element	Spec.	Inspection Result	Conclusion	SN	Item	Spec.	Inspection Result	Conclusion
1	W (%)	Rest	92.87	Pass	1	HV30	≥350	366	Pass
2	Ni(%)	4.20±0.16	4.35	Pass	2	D(g/cc)	17.7±0.15	17.63	Pass
3	Fe(%)	2.50±0.14	2.43	Pass	3	Elongation(%)	≥15	18.17	Pass
4	CO(%)	0.30±0.04	0.31	Pass	4	Yield strength 0.2% (MPa)	≥780	914	Pass
5	Mn(%)	0.04±0.005	0.042	Pass	5	Tensile strength(MPa)	≥1050	1074	Pass
					6	Elastic Compression EC1%(MPa)	≥1030	1240	Pass

SN	Element	Spec.	Inspection Result	Conclusion	Microstructure
1	MAX size	≤100 μm	OK	Pass	
2	Porosity	≤5.0 μm	OK	Pass	
3	Inclusions	≤10.0μm	OK	Pass	

Signature: _____ 2023/8/11
 QUALITY CONTROL DEPARTMENT OF GESAC

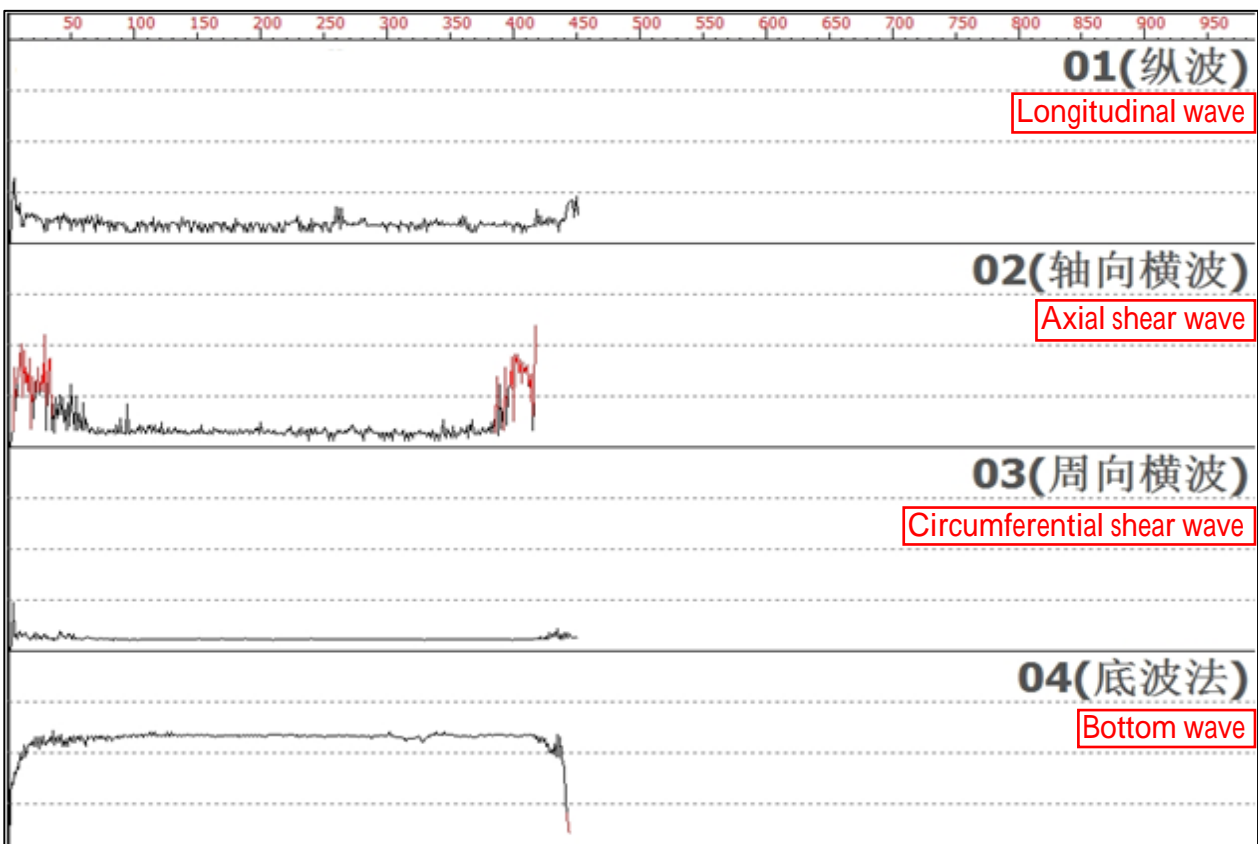


探伤检测报告

Flaw detection report

文件编号：J152

产品名称 Commodity	J2H231WX434001	产品批号 Lot No.	001	检验日期 Date	20-Jul-23
执行标准 Standard	GBT4162-2022				
设备型号 Equipment model	HSD-UT-4				
数量 Quantity	100 Pcs				
结论 Conclusion	The flaw detection results meet the standard requirements				
实例 Example	flaw detection spectrum				



签发 Issuance

徐海燕

共1页